



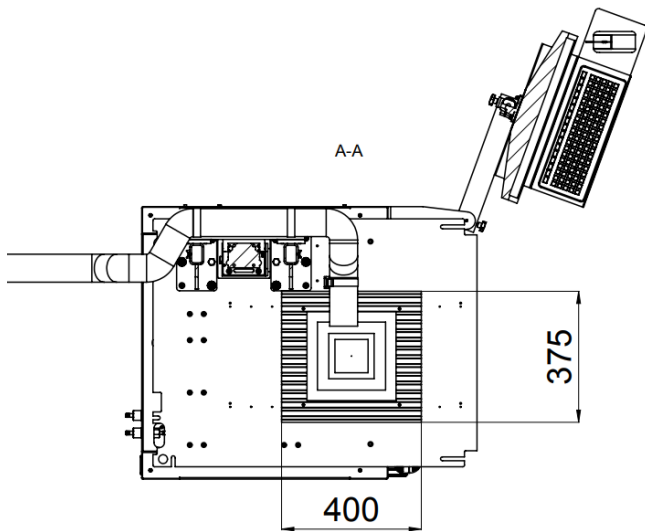
SpeedMarker 700 CO2

Technical Data SpeedMarker 700 CO2

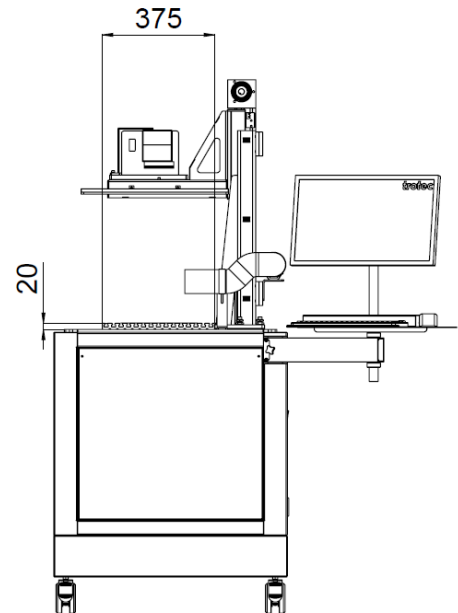
Technical Data SpeedMarker 700 CO2 (8041)				
Workstation Configuration	SM 0700 06C XXXX Z00 L00		SM 0700 10C XXXX Z00 L00	
Norm	CDRH Lasersafety; Laserclass 2; CE [EN 60825-1 (2015)]			
Software	Speedmark; Directmark Printerdriver			
Supported mono fonts	ISOCT, RomanS,SOKOL			
Supported fonts	all installed TrueTypeFonts			
Supported 1D barcodes	Australian Post; Codebar; Code 11; Code 128; Code 39; Code 93; DAFT; Deutsche Post; DPD; EAN-13; EAN-14; EAN-8; GS1; HIBC; ISBN; GS1; Pharmacode			
Supported 2D codes	Datamatrix; QR-Code; Aztec; Codeblock-F; GS1 Databar; HIBC; Maxi Code; PDF 417			
Supported image formats	BMP; JPG; DXF; PDF; EPS; PS; TSF; DWG;			
Laser source	ceramic CO2 long life maintainance free			
Beam quality	M ² < 1,2			
Power stability	better ± 3 %			
Rated laser power	60W		100W	
Wavelength (nm)	10,6µm			
Beam ellipticity	< 1,2:1			
Rise time	< 75 µs			
Focus and pilot laser	Diode laser λ = 650nm, Laser class 2; 1mW			
Cooling	water cooling			
min. Water flow rate	1-2 gallons /minute			
Protection level	IP20			
Weight without lense	40kg			
Working table (mm)	T-Slot plate (ISEL PT 25): 375 x 400			
Software controlled servo axis	Z			
Max. loading weight	50 kg			
Working Area	SM 0700 XXC F150 Z00	SM 0700 XXC F200 Z00	SM 0700 XXC F300 Z00	SM 0700 XXC F400 Z00
Marking field XxY(mm)	95x95	130x130	195x195	255x255
Maximum part height (mm)	363	310	210	109
Minimum part height (mm)	20	-	-	-
Working distance (mm)	152,6	205,6	305,6	404,6
Spotdiameter at working distance(mm)	0,27	0,36	0,54	0,72
Marking resolution (mm)	0,002	0,002	0,003	0,004
Max. marking speed (m/sec)	1,0	1,4	2,1	2,7
Max. positioning speed (m/sec)	7,2	9,9	14,8	19,3
Interfaces	Ethernet, RS232, Laser-Interlock, Marking-Start (24 VDC), Marking-Stop (24 VDC),E-Stop, Error-Reset, Laser-Busy, optional digital I/O's (24 VDC),			
Weight	330 kg			
Dimensions LxBxH	1388x780x1800			
Power supply	230V AC, 50/60Hz, 1/N/PE			
Maximum power consumption	Max. 3200W			
Cooling	active fan cooled			
Mini. required exhaust	Atmos Duo			
Water Cooler (recommended)				
Weight (empty)	81kg			
Dimensions LxBxH (mm)	720x640x465			
Power supply	230V AC 50Hz, 1/N/PE or 115V AC 60Hz, 1/N/PE			
Maximum power consumption	2800 W			
Ambient conditions				
Operation	Temperature range +15 to +35° C; Relative humidity max. 60%. Non-condensing			
Storage	Temperature range +0 to +30° C; Relative humidity max. 60%. Non-condensing			
Transport	Temperature range -10 to +40° C; Relative humidity max. 70%. Non-condensing			

SM 0700 XXC FXX Z00 L00

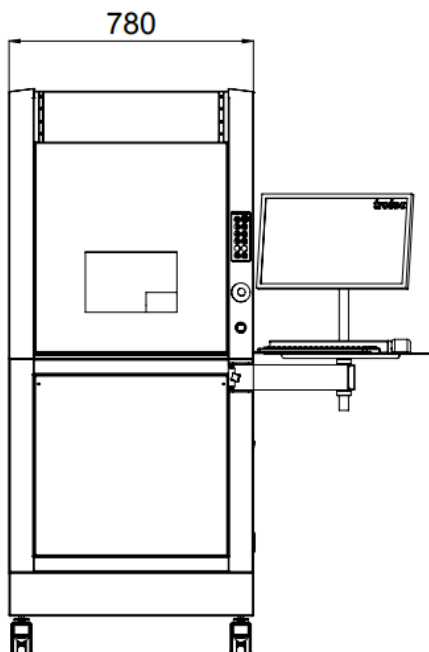
Configuration SpeedMarker 700 with software-controlled z-axis and liquid cooling



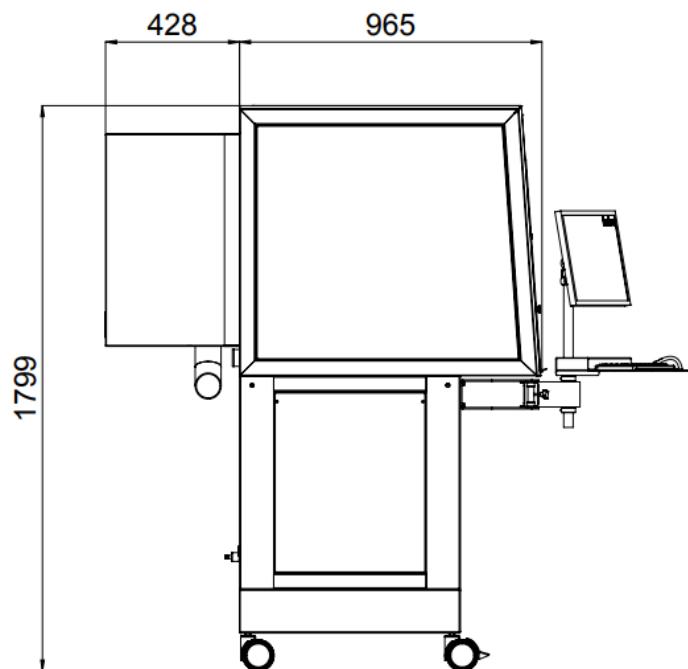
Interior top view



Interior front view



Front view



Side view

Tolerances on Dimensions: 1%

Content subject to change without prior notice.

Updated: February 2020